

4

3

2

1

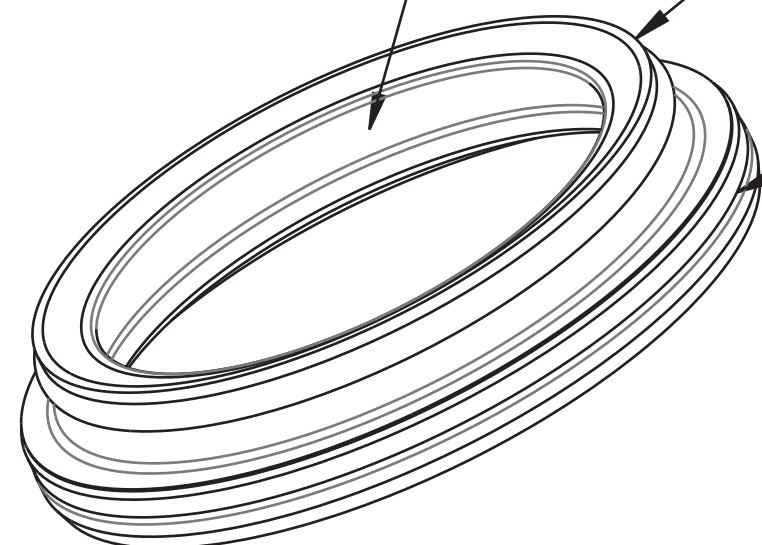


GREASE:
HEAVY LEVEL
OF SLICK HONEY

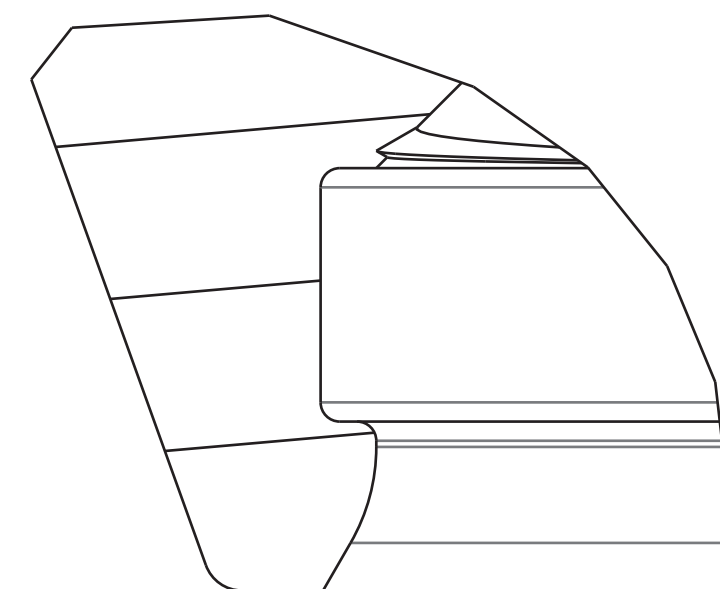
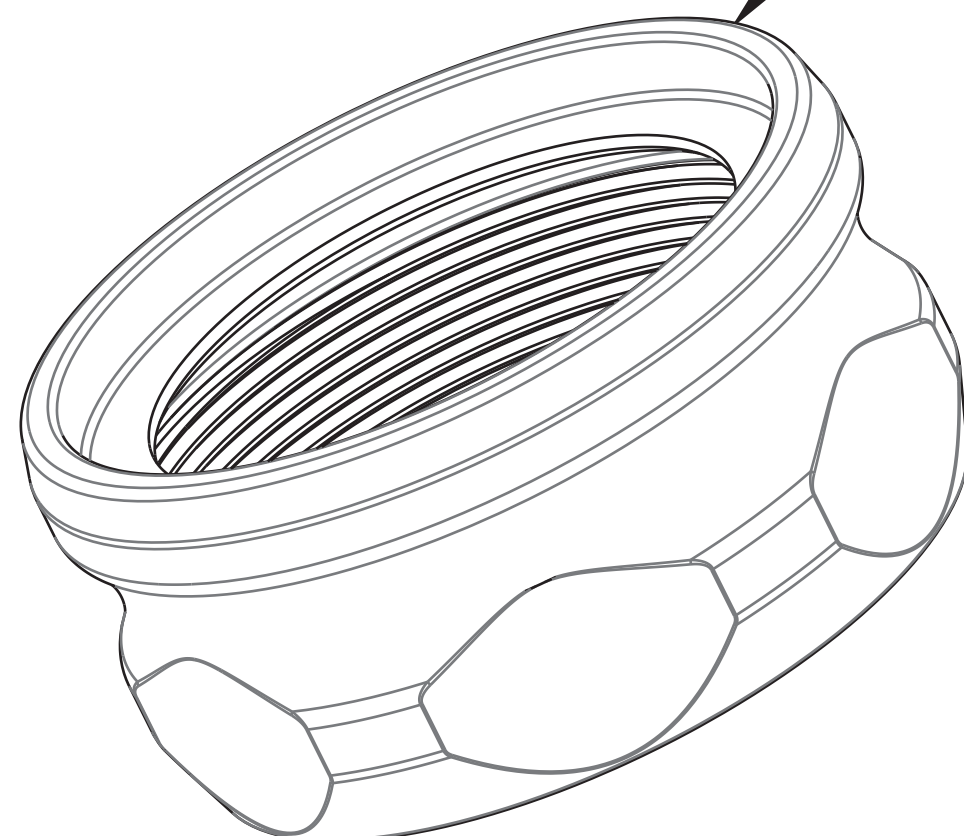
Seals: Seatpost Wiper Custom [1.041 Shaft], TSS, Can, Short, 1 Lip



GREASE:
THIN LAYER
OF SLICK HONEY



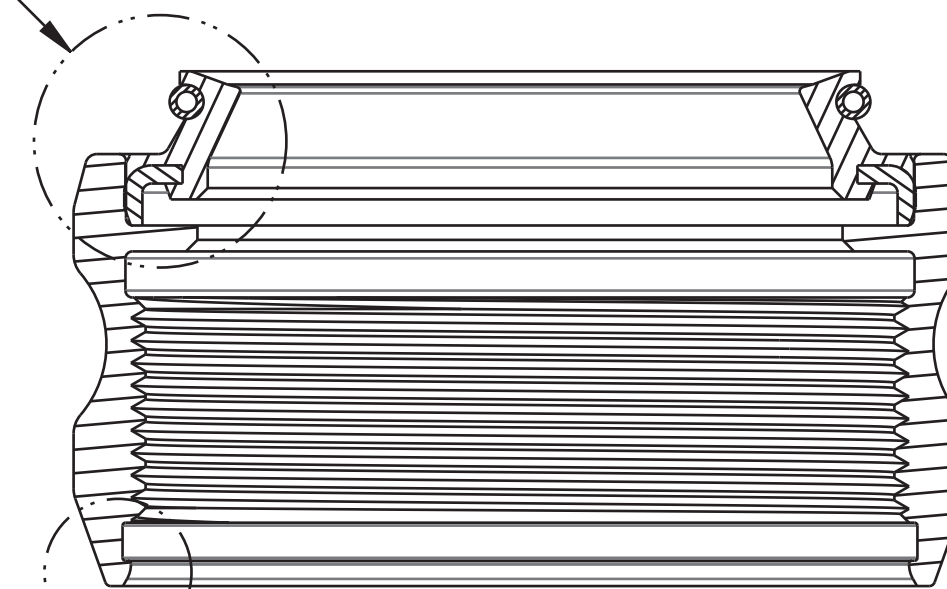
Collar



SUPPORT THIS SURFACE
WHEN SEAL IS INSTALLED

DETAIL Y
SCALE 20:1

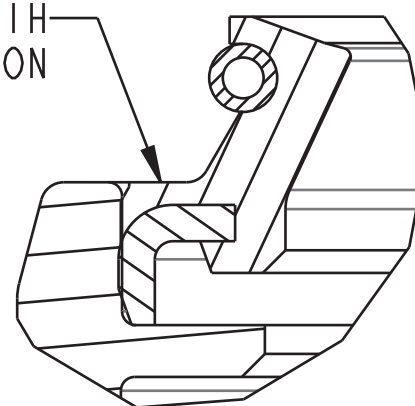
SEE DETAIL Z



SECTION A-A

SEE DETAIL Y

SEAL IS FLUSH WITH
COLLAR AFTER INSTALLATION



DETAIL Z
SCALE 6:1

- PROPRIETARY -
THIS DOCUMENT CONTAINS CONFIDENTIAL, PROPRIETARY INFORMATION
THAT IS FOX PROPERTY. DO NOT DISCLOSE TO OR DUPLICATE
FOR OTHERS EXCEPT AS AUTHORIZED BY FOX.

FOX **FOX Factory, Inc.** Ph 831-768-1100
130 Hangar Way, Watsonville, CA 95076 USA Fax 831-768-9312

TITLE
**2024 Transfer / Turbine R
Canned Wiper Collar Assys**

SIZE DWG. NO.

C

PLOT SCALE 3:1

SHEET 1 OF 1

Pr oE ASSEM

4

3

2

1